

350W ENCLOSED POWER SUPPLY RANGE



STONTRONICS: SRS-350-5, SRS-350-12, SRS-350-24, SRS-350-36, SRS-350-48



Features:

- Universal AC Input
- Protections: short circuit/overload
- Forced air cooled by internal fan
- 100% pass aging test
- 3 years warranty

Description:

The 350W enclosed power supply range has been specially designed to offer high efficiency, long life and high reliability for use in a variety of applications. This range comprises of 5 models with outputs of either 5v, 12v, 24v, 36v or 48v. Each model is RoHS, CE, UL approved and come with a three year warranty.

PART NUMBER	SPECIFICATION				
	SRS350-5	SRS350-12	SRS350-24	SRS350-36	SRS350-48
DC VOLTAGE	5V	12V	24V	36V	48V
RATED CURRENT	60A	29A	14.6A	9.7A	7.3A
CURRENT RANGE	0~60A	0~29A	0~14.6A	0~9.7A	0~7.3A
RATED POWER	300W	348W	350W	349W	350W
RIPPLE & NOISE	150mVp-p	150mVp-p	150mVp-p	200mVp-p	200mVp-p
VOLTAGE REGULATION RANGE	±1.0%				
VOLTAGE ACCURACY	±1.5%				
LINE ADJUSTMENT	±0.5%				
LOAD ADJUSTMENT RATE	±1%				
RISE	1300ms, 50ms/230VAC100% Load				
HOLD UP TIME	12ms/115VAC, 16ms/230VAC 100% Rated Load				
VOLTAGE RANGE	90~132VAC/180~264VAC switch selectable. 240-370VDC with switch set to 230VAC only				
FREQUENCY	47~63Hz				
EFFICIENCY	83%	86%	88%	88.5%	89%
ALTERNATING CURRENT	6.8A/115VAC 3.4A/230VAC				
INRUSH CURRENT	Cold Start 60A/115VAC 60A/230VAC				
LEAKAGE CURRENT	<2mA/240VAC				
OVRLOAD	110 ~ 140% of rated output, auto-recovery				
SHORT CIRCUIT	Hiccup Mode, auto-recovery				
OVER VOLTAGE	115%-135% rated output voltage, Shut down o/p voltage, re-power to recover				
OVER TEMP	Auto Recovery				
WORKING TEMP	-30°C ~ +70°C (See derating curve)				
WORKING HUMIDITY	20 ~ 95%RH (Non condensing)				
STORAGE TEMP	-40°C ~+85°C				
STORAGE HUMIDITY	10 ~ 95%RH (Non condensing)				
TEMP COEFFICIENT	±0.03%/°C(0~50°C)				
VIBRATION RESISTANCE	10~500Hz, 2G, 10min/cycle, X, Y, Z 60min in each direction				
SAFETY STANDARD	CE, UL60950-1,EN60950-1				
WITHSTAND VOLTAGE	I/P-O/P:3.0KV AC, I/P-FG:2.0KV AC,O/P-FG:0.5KVAC				
ISOLATION RESISTANCE	I/P-O/P,I/P-FG,O/P-FG:100MΩ/500VDC				
EMC	EN55022 CLASS A				
MTBF	226,400 hours (25°C)				
SIZE	215×115×30 (L*W*H)				
WEIGHT	0.75Kg/pc66pcs/carton				

General Note

TT Electronics reserves the right to make changes in product specification without notice or liability. All information is subject to TT Electronics' own data and is considered accurate at time of going to print.

TT Electronics | Power Partners, Inc
43 Broad Street Suite B206,
Hudson, MA 01749, USA.
t: +1 (978)567-9600

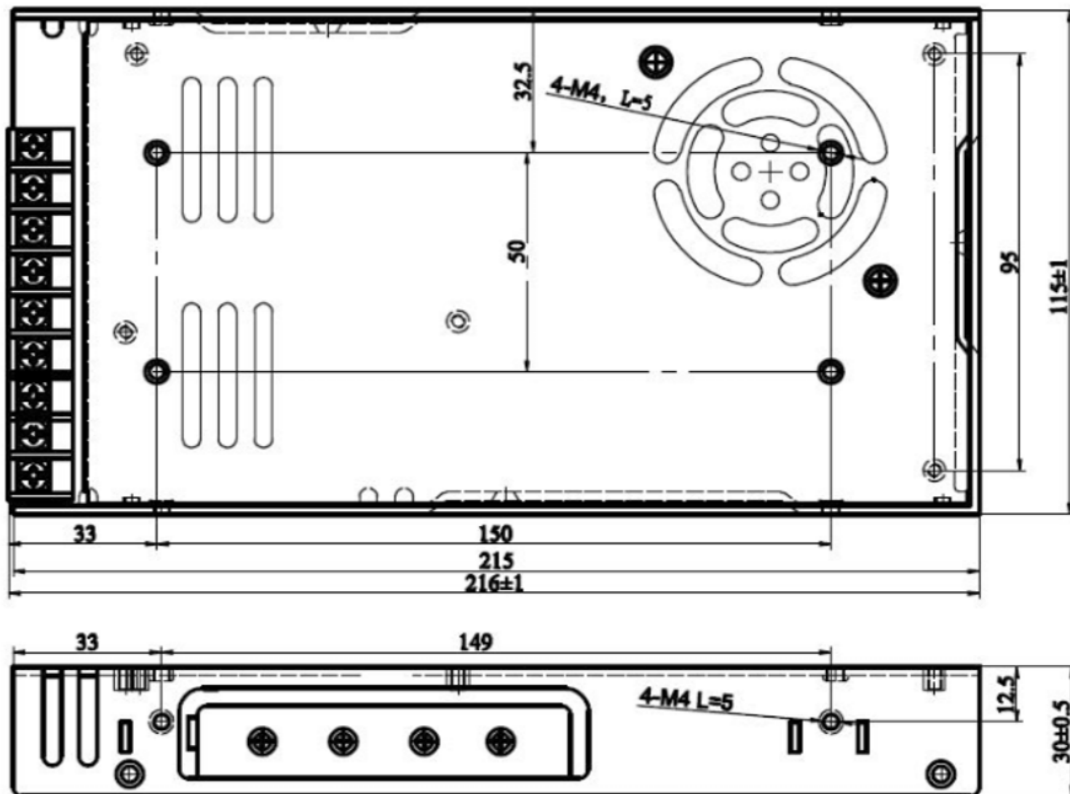
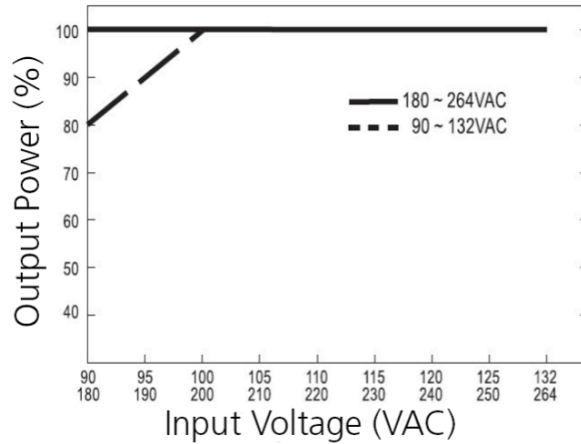
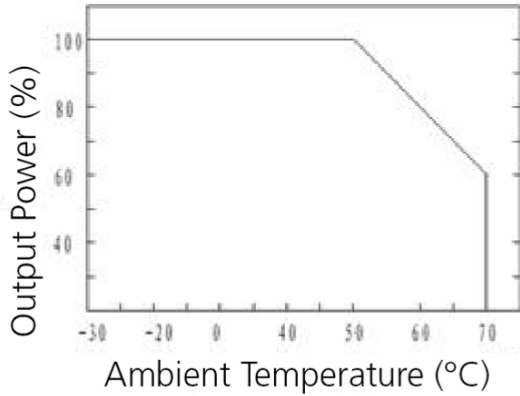
TT Electronics IoT Solutions Ltd
Tofts Farm East, Brenda Road
Hartlepool, TS25 2BQ, UK
t: +44 (0) 1429 852 500

350W ENCLOSED POWER SUPPLY RANGE



STONTRONICS: SRS-350-5, SRS-350-12, SRS-350-24, SRS-350-36, SRS-350-48

Diagrams



General Note
 TT Electronics reserves the right to make changes in product specification without notice or liability. All information is subject to TT Electronics' own data and is considered accurate at time of going to print.

TT Electronics | Power Partners, Inc
 43 Broad Street Suite B206,
 Hudson, MA 01749, USA.
 t: +1 (978)567-9600

TT Electronics IoT Solutions Ltd
 Tofts Farm East, Brenda Road
 Hartlepool, TS25 2BQ, UK
 t: +44 (0) 1429 852 500