



- Maximum No-Load Input Power < 0.1W
- Wide Operating Temperature Range (-40°C to 85°C)
- UL/EN/IEC 62368-1 Approved
- IEC/EN 60335-1 and IEC/EN 61558-2-16 Compliant
- Universal Input Range 90-305VAC, 47-440 Hz
- Low Ripple and Noise
- Isolation Class II
- 3-Year Product Warranty
- EMC Compliance Without External Components
- Chassis Mount Versions Available

ELECTRICAL SPECIFICATIONS

All specifications valid at normal input voltage, full load and +25°C after warm-up time unless otherwise stated.

Model No. (Single Output)	PAA30B-10x-P	PAA30B-12x-P	PAA30B-13x-P	PAA30B-14x-P
Max Output Wattage (W)	23.46W	30W	30W	30W
Input	Voltage			
	90-305 VAC or 120-430 VDC			
	Frequency (Hz)			
	47-440 Hz			
	Current (Full load)			
	600 mA max. (115 VAC) / 400 mA max. (230 VAC)			
	Inrush Current			
	30 A max. (115 VAC) / 60 A max. (230 VAC)			
Leakage Current				
0.25 mA max.				
External Fuse (recommended)				
3.15 A slow blow type				
External Varistor (recommended)				
14S471K				
No Load Input Power (<240VAC)				
<100mW				
Output	Voltage (V.DC.)			
	5.1V	12V	15V	24V
	Voltage Accuracy			
	±2%			
	Current (mA) max			
	4600	2500	2000	1250
	Line Regulation (LL-HL) (typ.)			
	±1%			
	Load Regulation (0-100%) (typ.)			
±3%	±2%			
Minimum Load				
0%				
Maximum Capacitive Load				
6,800uF	1,600uF	1,200uF	470uF	
Ripple & Noise (Vp-p) max				
120mVp-p	150mVp-p	150mVp-p	240mVp-p	
Efficiency (at 230VAC)				
84%	88%	87%	86%	
Hold-up Time (at 230VAC)				
36ms min.				
Protection	Over Power Protection			
	Hiccup mode, auto-recovery			
	Over Voltage Protection			
Zener diode clamp				
Short Circuit Protection				
Hiccup mode, indefinite (automatic recovery)				
Isolation	Input-Output (V.AC)			
4000V				
Environment	Operating Temperature			
	-40°C to +85°C (with derating)			
	Storage Temperature			
	-40°C to +85°C			
	Temperature Coefficient			
±0.02%/°C				
Humidity				
up to 95% RH				
MTBF				
>400,000 h @ 25°C (MIL-HDBK-217F)				
Physical	Dimension (L x W x H)			
	2.53 x 1.78 x 0.85 Inches (64.3 x 45.1 x 21.7 mm) Tolerance ±0.5 mm			
	Case Material			
	Plastic resin (flammability to UL 94V-0)			
Weight				
106 g				
Cooling Method				
Free air convection				



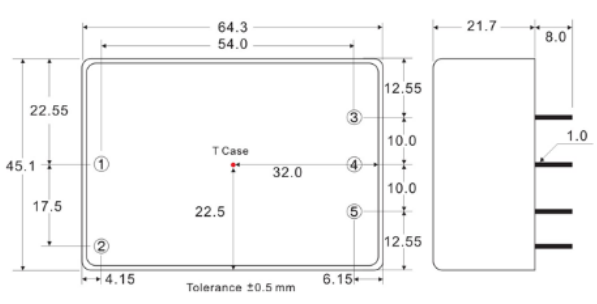
Safety	Agency Approvals	UL/EN 62368-1
	Designed to Meet	IEC/EN 60335-1 IEC/EN 61558-2-16
EMC	EMI (Conducted & Radiated Emission)	EN 55032 class B
	EMS (Noise Immunity)	EN 55035

NOTES

1. Ripple & Noise are measured at 20MHz of bandwidth with 0.1uF & 47uF parallel capacitor.
2. x in part number can be either C or blank. Blank denotes through hole. C denotes chassis mount option.
3. Safety approval only covers AC input frequencies between 47Hz and 63Hz.

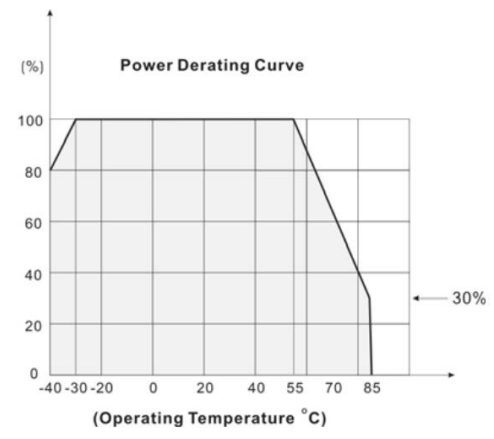
MECHANICAL DIMENSIONS and PINOUT

Through Hole Option:

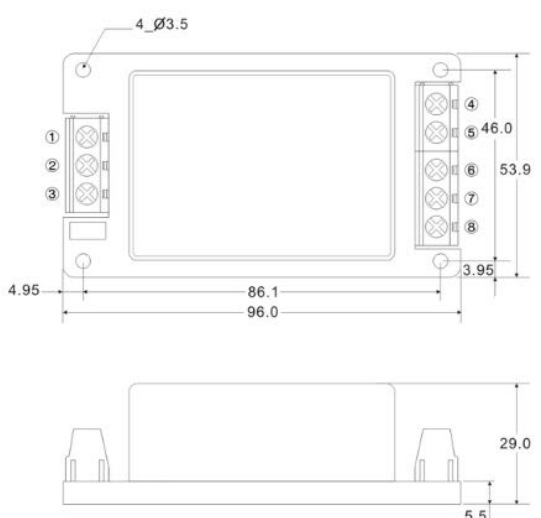


PIN#	Single
1	AC IN (N)
2	AC IN (L)
3	-DC OUT
4	NO PIN
5	+DC OUT

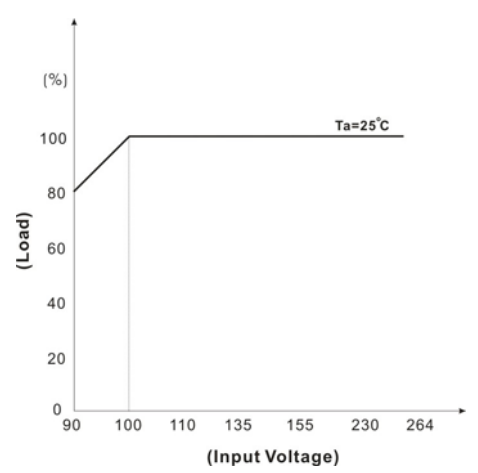
DERATING CURVES



Chassis Mount Option:



PIN#	Single
1	NO CONNECT
2	AC IN (N)
3	AC IN (L)
4	NO CONNECT
5	-DC OUT
6	NO CONNECT
7	+DC OUT
8	NO CONNECT



BLOCK DIAGRAM

