



- Class II Configuration
- Efficiency Level VI
- <100mW No Load Power Consumption
- Short Circuit Protection
- Overload Protection
- No Load Operation



Electrical Specifications

Input

Input Voltage	90-264VAC
Input Frequency	47-63 Hz
Input Current	1.3A Max.
Inrush Current	<40A peak @ 264VAC, cold start at 25°C
No Load Power Consumption	< 100mW, meets DOE level VI Requirements

Output

Output Power	36W, see table for details
Output Voltage	see table
Turn On Time	<3S @100-200VAC input & full output load
Rise Time	20mS max. @ full load
Fall Time	20mS max. @ full load
Line Regulation	± 1% of rated output voltage at full load
Load Regulation	± 5% of rated voltage from 0 to full load
Transient Response	Maximum voltage excursion of 5% for 25% load change with 0.25A/uS slew rate
Efficiency	Meets DOE level VI requirements

Protection

Short Circuit Protection	Hiccup mode. Auto recovery.
Overcurrent Protection	150-200% of rated current. Auto-restart when fault removed.
Ingress Protection	IP22 Compliant

Environmental & Operating

Operating Temperature	0°C to +60°C (Derate output power linearly from 100% at 40°C to 50% at 60°C)
Storage Temperature	-20°C to +80°C
Humidity	10% - 90% non-condensing
MTBF:	>100,000 hours per MIL-HDBK-217F at full load and 25°C ambient

Compliance

Safety Approvals

USA	UL60950-1
Canada	cUL60950-1

EMC:

FCC Class B Radiated & Conducted

Harmonic Currents Voltage Flicker Electrostatic Discharge Radiated Immunity EFT/Burst Surge Immunity Conducted Immunity Magnetic Field Dips / Interruptions

IEC 61000-3-2
IEC 61000-3-3
IEC 61000-4-2: ±8 KV air, ±4 KV contact
IEC 61000-4-3: 3V/m
IEC 61000-4-4: ±1 KV
IEC 61000-4-5: ±1 KV differential mode
IEC 61000-4-6: 3Vrms
IEC 61000-4-8: 1A/m
IEC 61000-4-11: 30% reduction for 500 ms, and >95% reduction for 10 ms

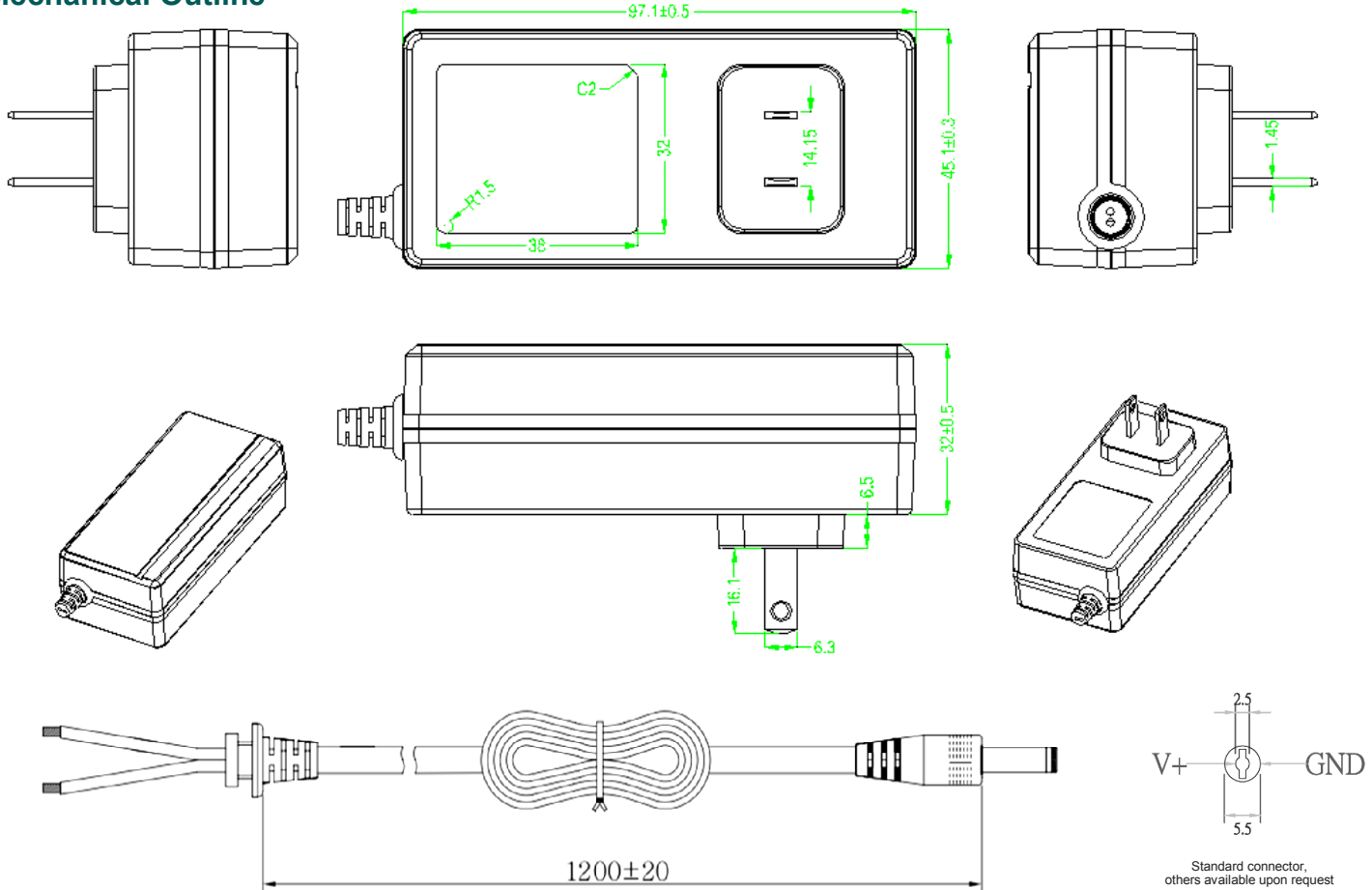
General

Dimensions	3.82"(97.1mm) x 1.78"(45.1mm) x 1.26"(32mm)
AC Input	Fixed North America AC Blade (others available)
Output Plug	Barrel Type: 5.5mm x 2.5mm x 10mm Center positive (others available)
Weight	0.44 pounds

Model No.	Output voltage	Current	Total Power	Output Regulation	Ripple & Noise (Vp-p) ²	Efficiency Level
PSAW36NA-10-B2 ¹	5V	4A	20W	±5%	200mV	VI
PSAW36NA-11-B2	9V	4A	36W	±5%	200mV	VI
PSAW36NA-12-B2	12V	3A	36W	±5%	200mV	VI
PSAW36NA-13-B2	15V	2.4A	36W	±5%	200mV	VI
PSAW36NA-13-1-B2	18V	2A	36W	±5%	200mV	VI
PSAW36NA-13-2-B2	19V	1.89A	36W	±5%	200mV	VI
PSAW36NA-14-B2	24V	1.5A	36W	±5%	200mV	VI
PSAW36NA-17-B2	36V	1A	36W	±5%	200mV	VI

1. PSAW36NA-10-B2 is equipped with a 1m output cable. All other models are equipped with a 1.2m output cable as standard.
2. Ripple and noise is measured at output within 20MHz bandwidth, at rated line voltage and full load, with a 10 μF tantalum capacitor in parallel with a 0.1 μF ceramic capacitor across the output.

Mechanical Outline



Standard connector, others available upon request