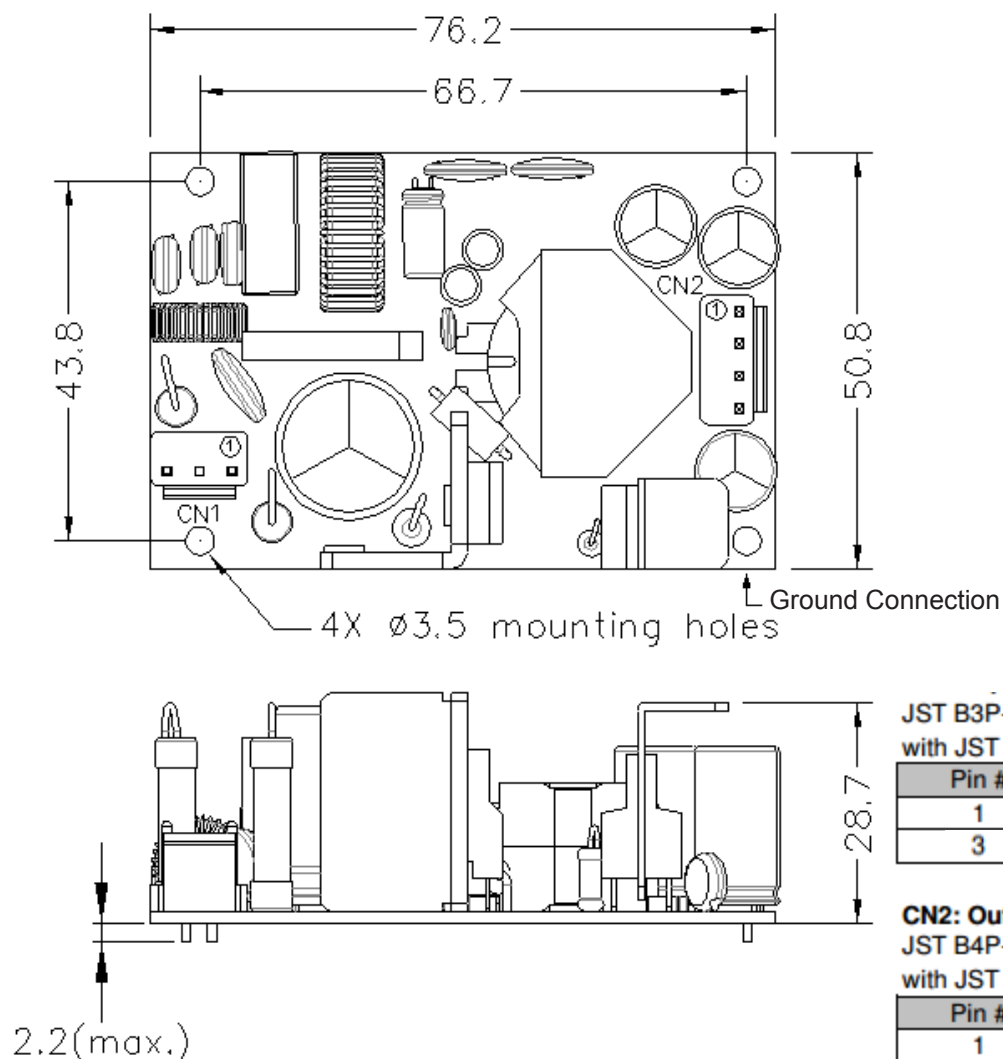


PPWAM65 Series 65W Power Supply

Mechanical Outline



JST B3P-VH-B pitch: 7.92mm or equivalent, mates with JST VHR-3N or equivalent

Pin #	Signal
1	AC Line
3	AC Neutral

CN2: Output Connector

JST B4P-VH-B pitch: 3.96mm or equivalent, mates with JST VHR-4N or equivalent

Pin #	Signal
1	-Vo
2	-Vo
3	+Vo
4	+Vo