

- UL/cUL/EN60950-1
- >85% Efficient
- <300uA @ 264VAC Earth Leakage Current
- Short Circuit Protection
- Overvoltage Protection
- Overload Protection
- RoHS Compliant



Electrical Specifications

Input

Input Voltage	90-264VAC
Input Frequency	47-63 Hz
Input Current	4A max (RMS) @ 115VAC
Inrush Current	<50A peak @ 115VAC, <100A peak @ 230VAC, cold start, 25°C

Environmental & Operating

Operating Temperature	0°C to +70°C , with linear derating from 40°C to 50% power at 60°C
Storage Temperature	-40°C to +85°C
Humidity	10% - 95% non-condensing
MTBF:	>100K hours per MIL-HDBK-217F at full load and 25°C ambient

Output

Total Output	250W (with 17.5 CFM airflow)
Output Voltage	See table
Hold Up Time	>16mS at full load and 115VAC nominal line
Efficiency	85% typical, full load, 115VAC
Minimum Load	No minimum load

Compliance

Safety Approvals

USA/Canada	UL/cUL60601-1 3rd Edition
Europe	TUV EN60601-1; 1990+A1+A2+A13

EMC:

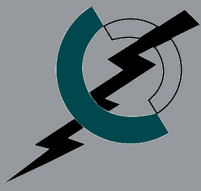
	CB Report
	FCC Class B Radiated & Conducted
	EN55011 Class B Radiated & Conducted
	EN60601-1-2
Harmonic Currents	IEC 61000-3-2: 2006, Class D
Voltage Flicker	IEC 61000-3-3: 1995+A1: 2001+A2: 2005
Electrostatic Discharge	IEC 61000-4-2: 1995+A1: 1998+A2: 2000
Radiated Immunity	IEC 61000-4-3: 2006
EFT/Burst	IEC 61000-4-4: 2004
Surge Immunity	IEC 61000-4-5: 2005
Conducted Immunity	IEC 61000-4-6: 2007
Magnetic Field	IEC 61000-4-8: 1993+A1: 2000
Dips / Interruptions	IEC 61000-4-11: 2004

Protection

Overvoltage	170% of nominal on 5V, 130% of nominal on 12V to 48V models. Auto recovery
Overload	160% of maximum output current. Auto recovery
Short Circuit	Hiccup mode. Auto recovery

General

Dimensions	5"L x 3.19"W x 1.52"H
Weight	1.1 pounds



Models and Ratings Chart

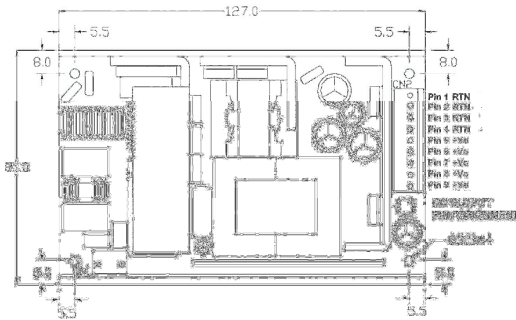
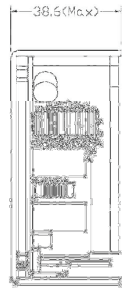
Model No.	Output Voltage	Minimum Load	Maximum Load with Convection Cooling	Maximum Load with 17.1CFM Forced Air	Output Watts	O/P Regulation	Ripple & Noise (Vp-p)
PPWA250-12B	+12V	0A	16.67A	20.84A	250W	5%	120mV
PPWA250-13-2B	+19V	0A	10.53A	13.16A	250W	5%	190mV
PPWA250-14B	+24V	0A	8.34A	10.42A	250W	5%	240mV
PPWA250-16B	+30V	0A	6.67A	8.34A	250W	5%	300mV
PPWA250-17B	+36V	0A	5.56A	6.95A	250W	5%	360mV
PPWA250-17-1B	+40V	0A	5.00A	6.25A	250W	5%	400mV
PPWA250-18B	+48V	0A	4.17A	5.21A	250W	5%	480mV

Note:

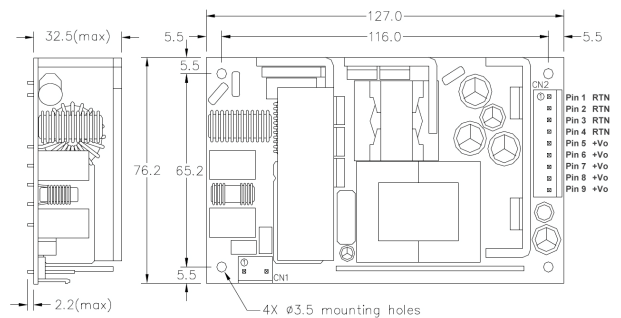
1. At 25°C including initial tolerance, line voltage, load currents and output voltages adjusted to factory settings.
2. Peak-to-peak with 20MHz bandwidth with a tantalum 47uF in parallel with a 0.1uF ceramic capacitor.

Mechanical Outline / Output Cable and Pin Assignment

U-Bracket



PCB Mount



Dimensions: L127 (5") x W81.03 (3.12") x H38.6 (1.52")mm

MATCHING CONNECTORS

CN1: Input Connector

JST B3P-VH-B pitch: 3.96mm or equivalent, mates with JST VHR-3N or equivalent

Pin #	Signal
1	AC Line
2	AC Neutral

CN2: Output Connector

JST B9P-VH-B pitch: 3.96mm or equivalent, mates with JST VHR-9N or equivalent

Pin #	Signal
1	RTN
2	RTN
3	RTN
4	RTN
5	+Vo
6	+Vo
7	-Vo
8	-Vo
9	-Vo