

- IEC 60601-1-2 4th Edition Compliant
- Short Circuit, Overload and Overvoltage Protection
- Class I/II
- No Load Operation
- 100% Burn-In/Hi-Pot Testing
- RoHS Compliant

Electrical Specifications

Input

Input Voltage	90-264VAC
Input Frequency	47-63 Hz
Input Current	2.5A @ 100VAC
Safety Isolation	4.0kVAC Input to Output 1.5kVAC Input to Ground
Leakage Current	<100uA @ 240VAC

Output

Total Output	90W
Output Voltage	See table
Hold Up Time	≥10mS @ full load, 100VAC
Turn On Time	<3 seconds
Efficiency	≥87% average efficiency
Minimum Load	No minimum load

Protection

Overvoltage	120%-150% of rating voltage. Latching mode. Cycle AC for recovery
Short Circuit	Hiccup mode. Auto recovery.
Overcurrent	180% of rated current. Auto-restart when fault removed.

Environmental & Operating

Operating Temperature	0°C to +40°C
Storage Temperature	-20°C to +85°C
Humidity	10% - 90% non-condensing
MTBF:	>150,000 hours per MIL-HDBK-217F @ full load and at 25°C

Compliance

Safety Approvals

USA	ANSI/AAMI ES60601-1
Canada	cUL ES60601-1
Europe	TUV EN60601-1 3rd edition

Isolation

4000VAC input to output, 2 x MOPP
1500 VAC input to ground, 1 x MOPP

EMC (IEC 60601-1-2:2014):

FCC Class B Radiated & Conducted CISPR11
Class B Radiated & Conducted EN55011
Class B Radiated & Conducted IEC 61000-3-2
IEC 61000-3-3
IEC 61000-4-2: ±15kV Air, ±8kV contact
IEC 61000-4-3: 10V/m
IEC 61000-4-4: ±2kV
IEC 61000-4-5: 1kV diff, 2kV com
IEC 61000-4-6: 10Vrms
IEC 61000-4-8: 30A/m
IEC 61000-4-11: Voltage dip immunity, 30% reduction for 500ms, 100% reduction for 10ms

Harmonic Currents
Voltage Flicker
Electrostatic Discharge
Radiated Immunity
EFT/Burst
Surge Immunity
Conducted Immunity
Magnetic Field
Dips / Interruptions

General

Dimensions	5.98"L x 2.32"W x 1.33"H
AC Input Receptacle	IEC320-C6, C8, C14 or C18
DC Output Plug	Kycon KPP-4P or equivalent
Weight	1.21 pounds

Your Partners in Power.....

Power Partners, Inc. | 43 Broad Street | Hudson, MA 01749

Tel: (978)567-9600 | Fax: (978)567-9601

Website: www.powerpartners-inc.com



Models and Ratings Chart

Model No.	Output Voltage	Current	Total Power	Output Regulation	Ripple & Noise (Vp-p)	Efficiency Level
PEAMD90-12	12VDC	7.5A	90W	+/-5%	300mV	V
PEAMD90-13	15VDC	6.0A	90W	+/-5%	300mV	V
PEAMD90-13-3	16VDC	5.62A	90W	+/-5%	300mV	V
PEAMD90-13-1	18VDC	5.0A	90W	+/-5%	300mV	V
PEAMD90-13-2	19VDC	4.73A	90W	+/-5%	300mV	V
PEAMD90-14	24VDC	3.75A	90W	+/-5%	300mV	V

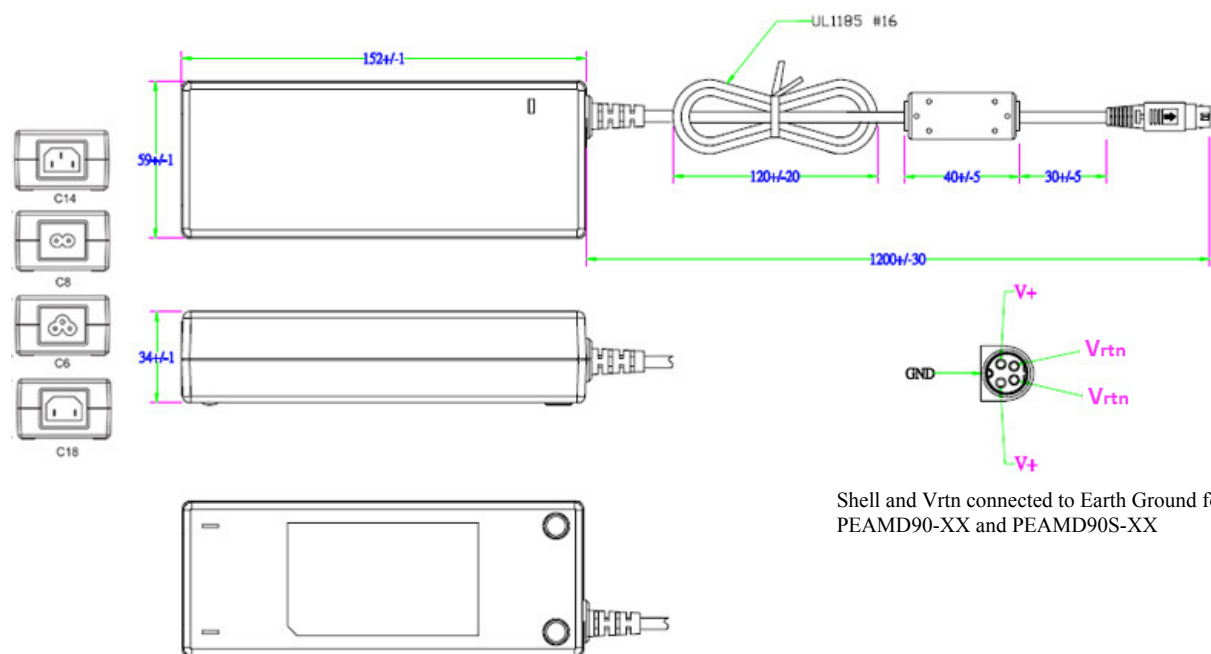
C14 standard receptacle

For C8 input receptacle, model numbers are PEAMDSF90. For example, PEAMDSF90-12

For C6 input receptacle, model numbers are PEAMDS90. For example, PEAMDS90-12

For C18 input receptacle, model numbers are PEAMDF90. For example, PEAMDF90-12

Mechanical Outline



Shell and Vrtn connected to Earth Ground for
PEAMD90-XX and PEAMD90S-XX