



Models and Ratings Chart

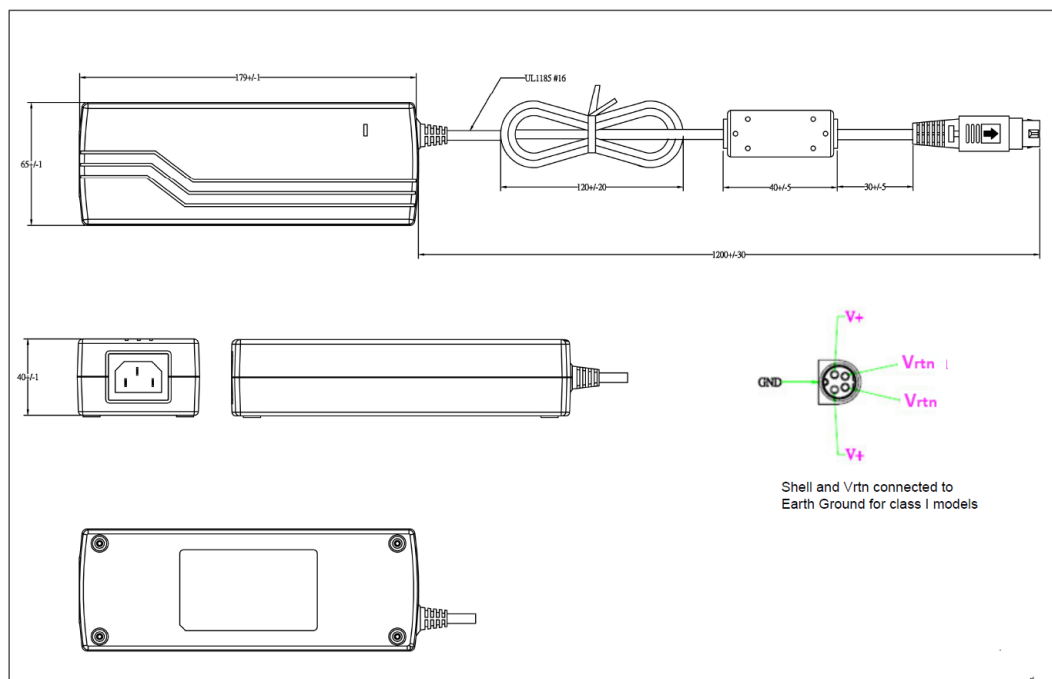
Model	Voltage	Current	Total Power	Load Regulation	Line Regulation	Ripple & Noise (p-p)
PEAD180-12	12V DC	13.33A	180W	+/-5%	+/-1%	240mV
PEAD180-13	15V DC	10.66A	180W	+/-5%	+/-1%	240mV
PEAD180-13-2	19V DC	9.47A	180W	+/-5%	+/-1%	360mV
PEAD180-14	24V DC	7.50A	180W	+/-5%	+/-1%	360mV
PEAD180-17	36V DC	5.00A	180W	+/-5%	+/-1%	630mV
PEAD180-18	48V DC	3.75A	180W	+/-5%	+/-1%	840mV

Note: Add suffix "SF" for C8 AC inlet. Example: PEAD180SF-14

Add suffix "S" for C6 AC inlet, Example: PEAD180S-14

Add suffix "F" for C18 AC inlet, Example: PEAD180F-14

Mechanical Outline



1. Dimensions in mm.
2. Standard Kycon KPP-4P or equivalent. Optional connectors are available. Contact Power Partners Sales Department.
3. C14 input receptacle shown. Also available with a C6, C8 or C18 input receptacle. Modify Part Number to include reference, for example, PEAD180S-12 for C6.